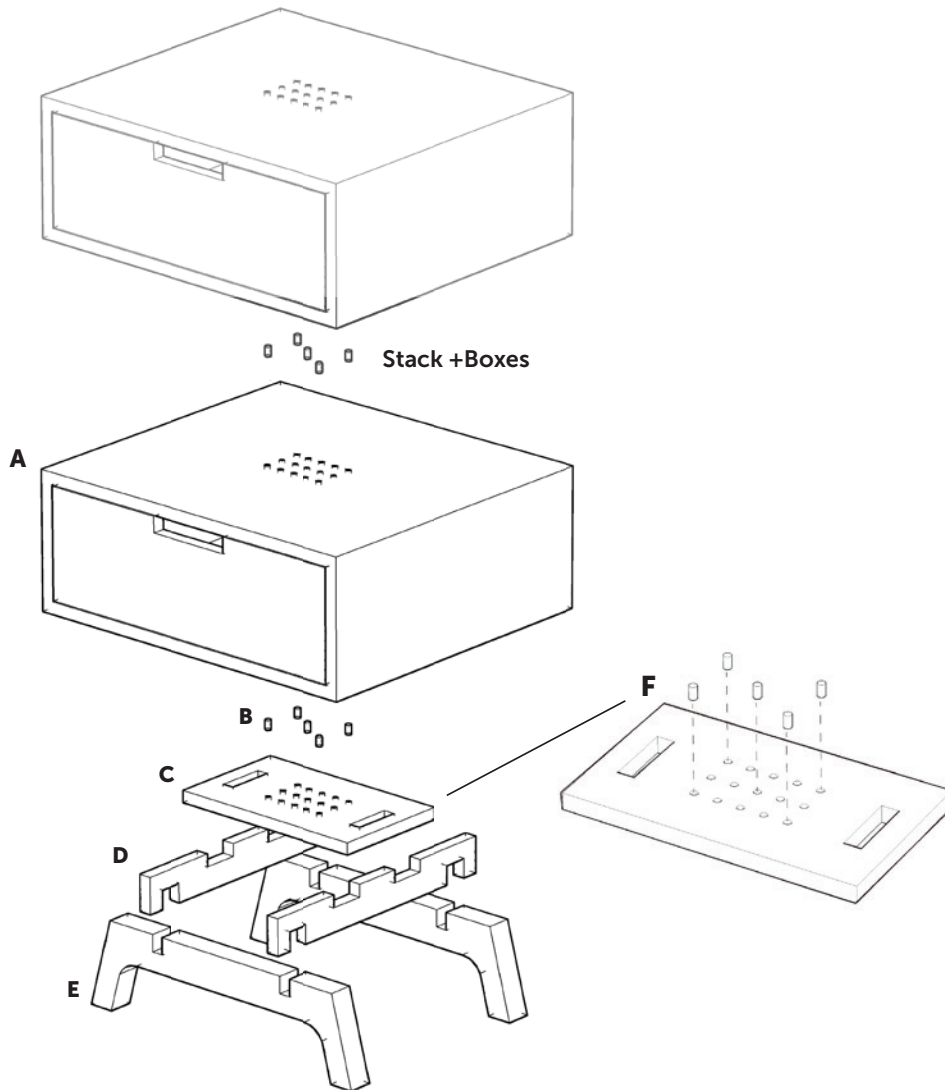


# modular unit

/ base solo

## tools needed

1. Hands
2. A sunny disposition



## parts key

- A** (1) modular box
- B** (15) dowel pins
- C** (1) matrix plate
- D** (2) leg rails
- E** (2) legs

## tips

### Assemble the base upside down

Attach the leg rails (D) to the matrix plate (C); then attach the legs (E) into the leg rails (D).

### Use 5 dice pattern for dowels\*

See (F) - Add the dowels to each corner and then one in the center of the matrix plate. Align matrix plate dowels with the bottom of the base box at eye level.

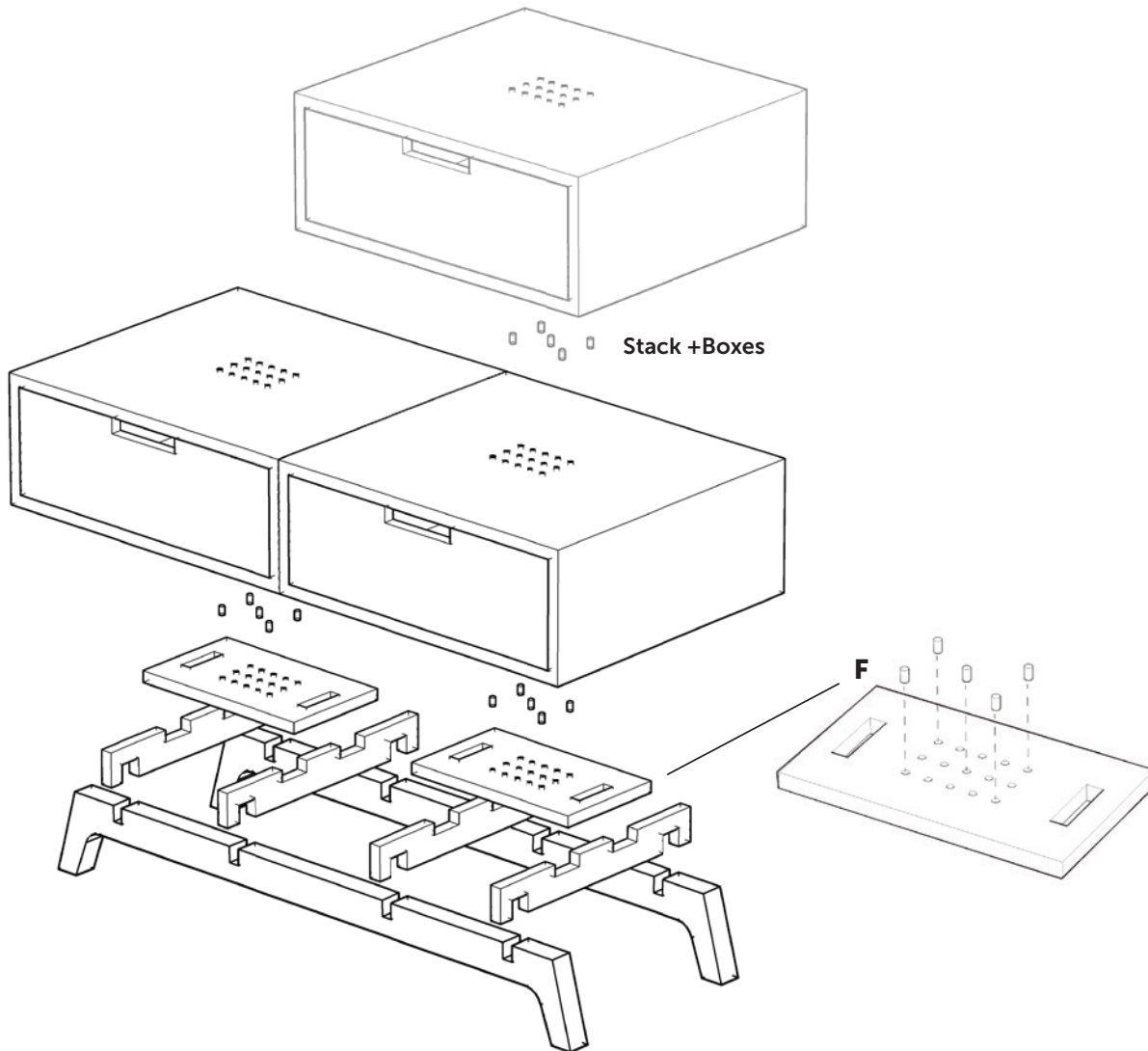
\*5 dowel minimum to attach each box

**tools needed**

1. Hands
2. A sunny disposition

**modular unit**

/ base duo



Stack +Boxes

**parts key**

- A** (2) modular boxes
- B** (30) dowel pins
- C** (2) matrix plate
- D** (4) leg rails
- E** (2) legs

**tips****Assemble the base upside down**

Attach the leg rails (D) to the matrix plate (C); then attach the legs (E) into the leg rails (D).

**Use 5 dice pattern for dowels\***

See (F) - Add the dowels to each corner and then one in the center of the matrix plate. Align matrix plate dowels with the bottom of the base boxes at eye level.

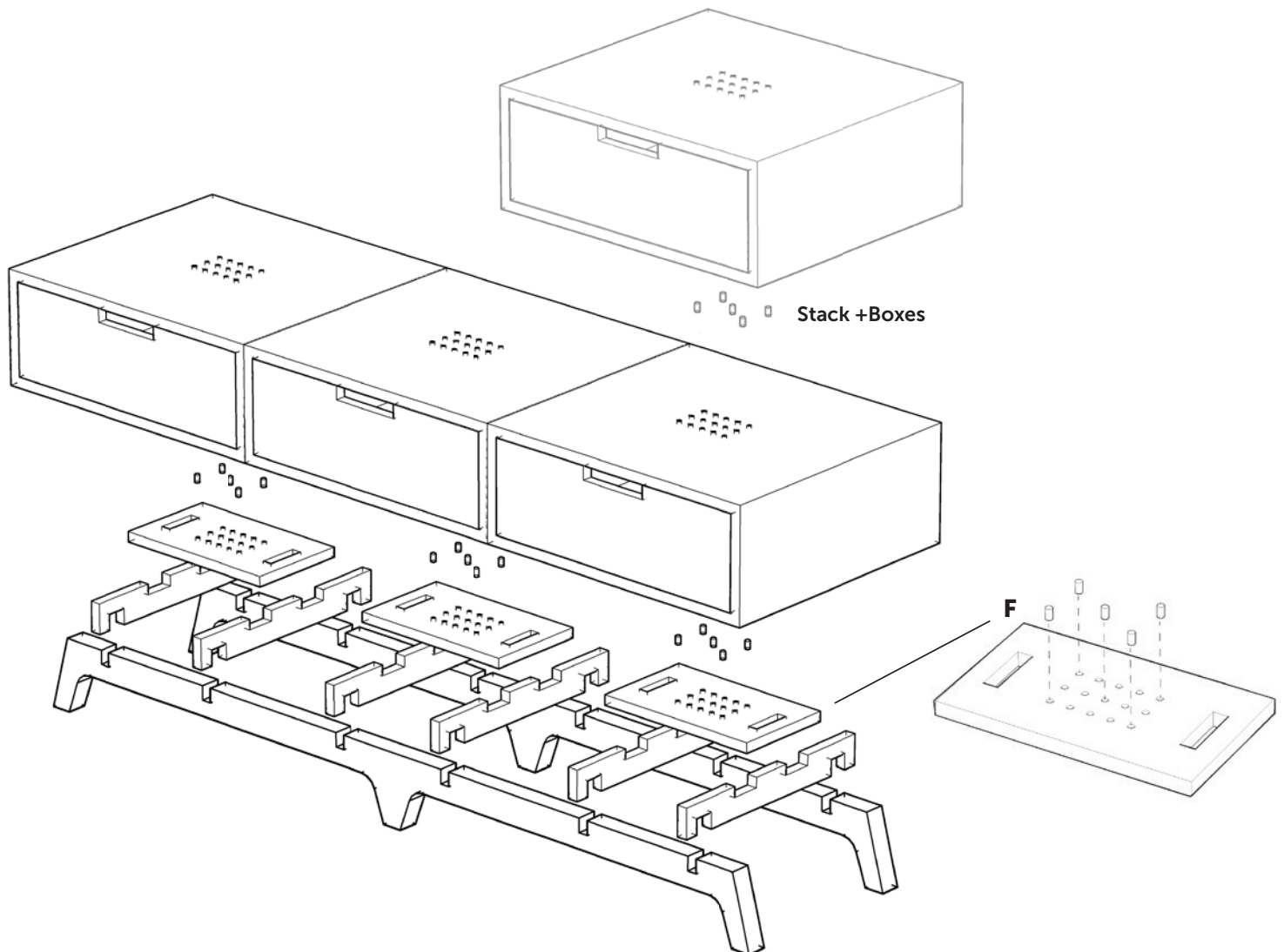
\*5 dowel minimum to attach each box

**tools needed**

1. Hands
2. A sunny disposition

**modular unit**

/ base trio

**parts key**

- A** (3) modular boxes
- B** (45) dowel pins
- C** (3) matrix plates
- D** (6) leg rails
- E** (2) legs

**tips****Assemble the base upside down**

Attach the leg rails (D) to the matrix plate (C); then attach the legs (E) into the leg rails (D).

**Use 5 dice pattern for dowels\***

See (F) - Add the dowels to each corner and then one in the center of the matrix plate. Align matrix plate dowels with the bottom of the base boxes at eye level.

\*5 dowel minimum to attach each box

## modular units



### Risk of Tipping

We recommend following these simple stacking guidelines for modular units:

- No more than 3 additional boxes added to a base solo.  
*(4 total box count)*
- No more than 6 additional boxes added to a base duo.  
*(8 total box count)*
- No more than 9 additional boxes added to a base trio.  
*(12 total box count)*

*\*Be aware that the box units may separate if more than 8 pounds is placed in a drawer box while open.*



### Cleaning

- A clean, damp cloth is best.
- Mild household cleaners may be used.
- Avoid abrasive cleaners such as strong solvents. *(nail polish remover, bleach, etc.)*
- Test a small spot in an hidden area first.

